



Model: DW-2

- WL-1 Drawer warmer
- WL-2 Drawer warmer
- WL-3 Drawer warmer

---

## STANDARD FEATURES

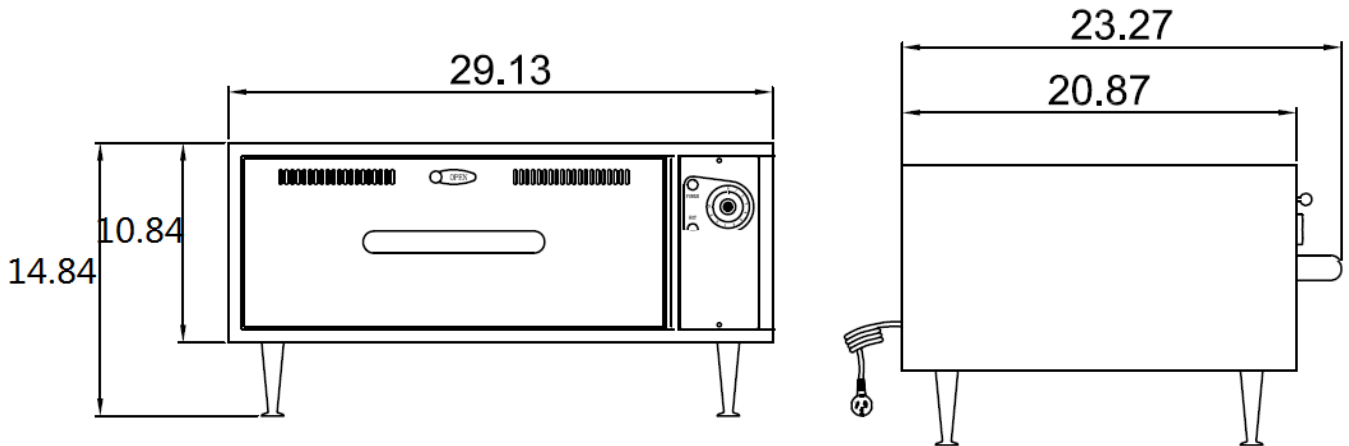
---

- Keep food fresh and moist
- Individually recessed control knobs for each drawer
- Each drawer fits (1) full size 12" x 20" x 6" deep food pan
- Sliding venting holes to adjust humidity for different food
- Analog temperature display for each drawer
- Rolling bearings ensure jam-free of drawer
- Heavy duty stainless steel structure
- Zinc alloy adjustable legs
- Bakelite handle

---

## Plan View

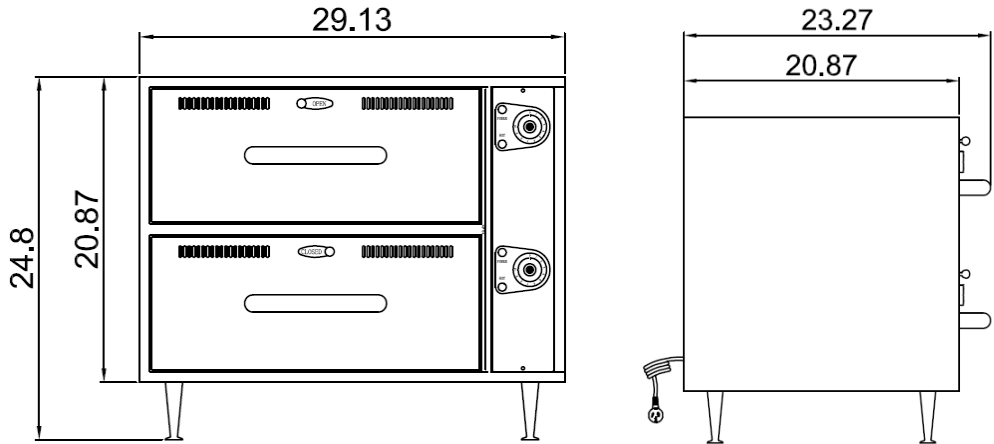
WL-1



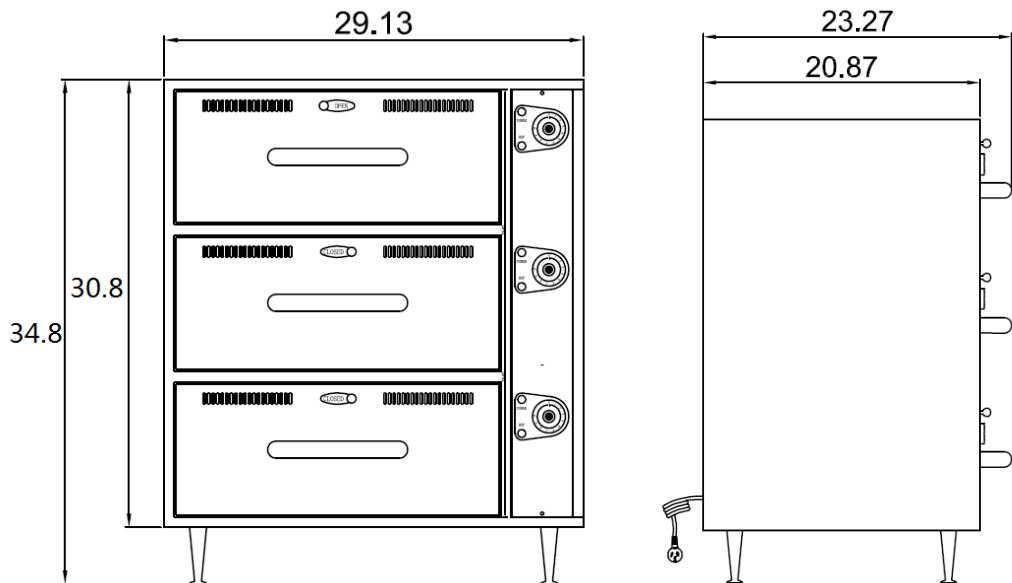
# Drawer Warmer

## Plan View

WL-2



WL-3



Model	Power	Volts/HZ	Package Size	Drawers	N/W	G/W
WL-1	450W	120V~60HZ	32x26x15	1	60lbs	72lbs
WL-2	900W	120V~60HZ	32x26x25	2	103lbs	125lbs
WL-3	1350W	120V~60HZ	32x26x35	3	127lbs	150lbs