

# ELECTRIC PASTA COOKER

## CP900X2



### TECHNICAL FEATURES

- AISI316 stainless steel basin
- Resistances in incoloy
- Setting and adjustment for cooking temperature
- Baskets made of AISI304 stainless steel
- Automatic temporised lifts of the baskets
- Setting of the cooking times
- Safety sensor for minimum level of water
- Safety thermostat



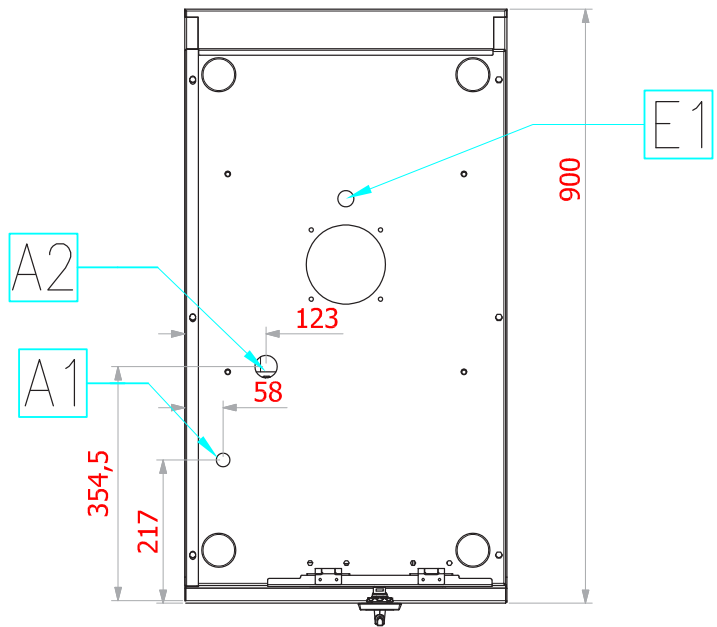
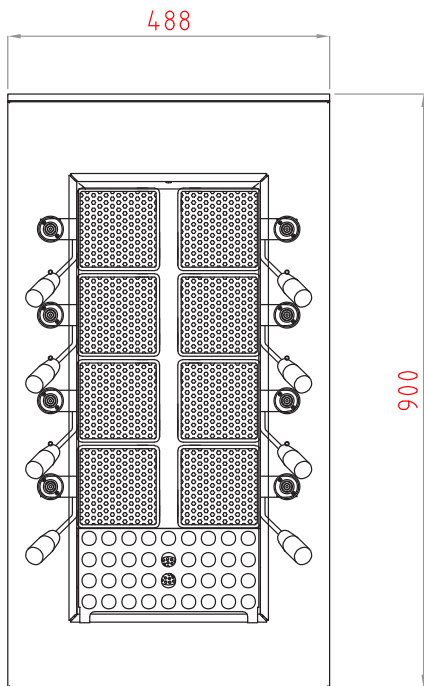
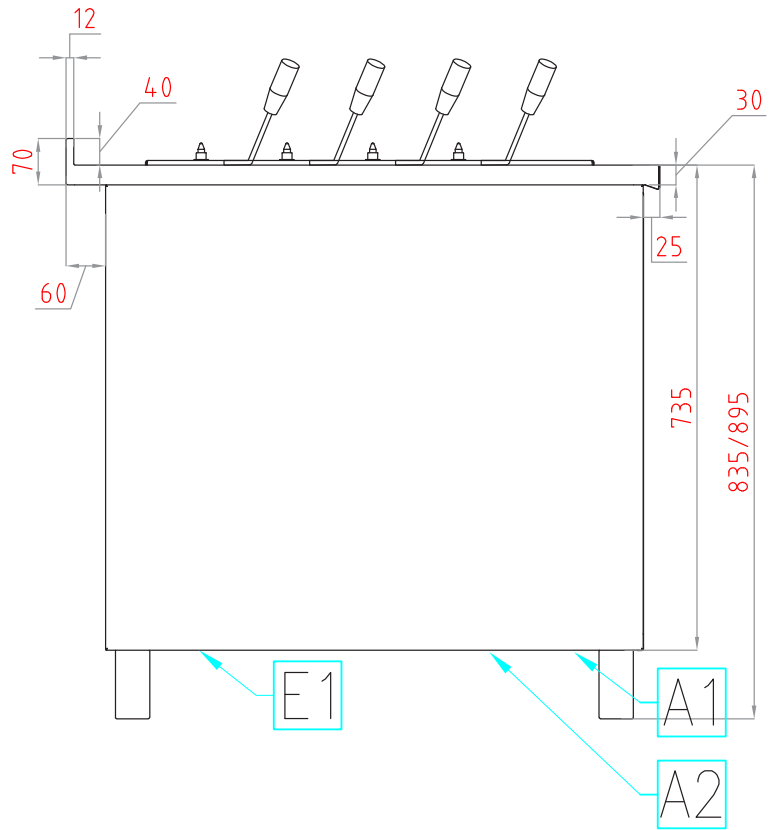
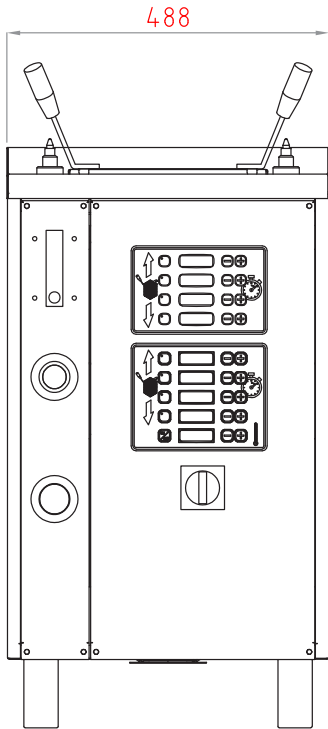
BASKETS LIFTS	N. 8
BASIN CAPACITY	24 l
BASKETS DIMENSIONS	11,5 cm x 11,5 cm x H 17,5 cm
COOKER DIMENSIONS	90 cm x 85 cm x H 835 / 895 cm
ELECTRIC CONSUMPTION	9 kW

### ITALGI s.r.l.

Via Pontevecchio, 96A  
16042 CARASCO  
(GE) ITALY  
+39 0185 350206  
+39 0185 350523  
italgi@italgi.it  
www.italgi.it



# TECHNICAL LAYOUT



WATER CONNECTION		
	DESCRIPTION	CONNECTION
A1	COLD WATER INLET	1/2"
A2	HOT WATER OUTLET	1"

ELECTRICAL SUPPLY				
	VOLT	Hz	PHASES	kW
E1	400	50	3+N	8.5



I dati di questo depliant sono soggetti a variazioni senza preavviso.  
All data in this brochure may be modified without prio warning.