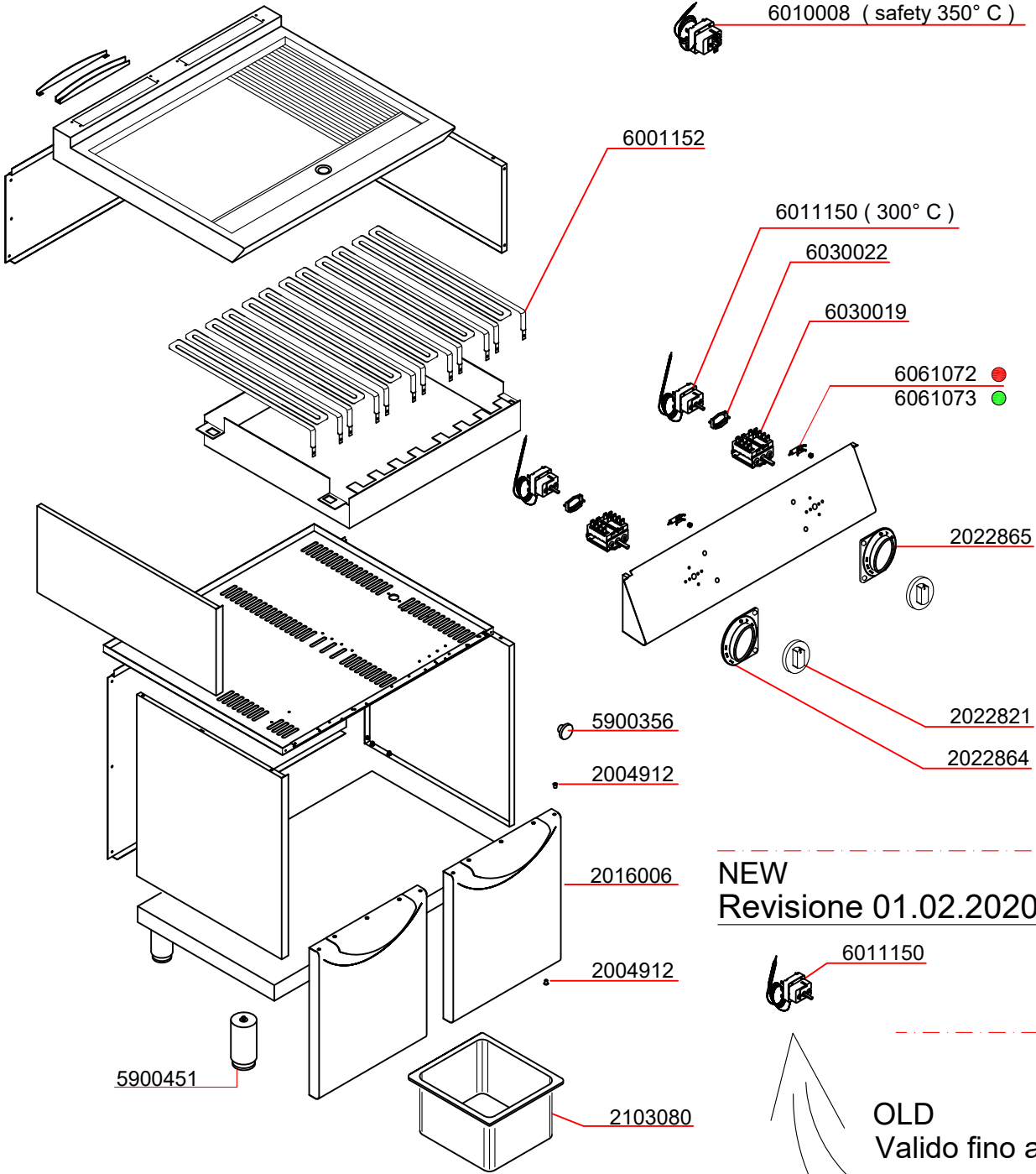


rev. 10.09.2018



6010008 ( safety 350° C )



**NEW**  
**Revisione 01.02.2020**



6011150

**OLD**  
**Valido fino al 31.01.2020**



6010091

**GIORIK**

*Frytop cromato elettrico*  
*Electric chrome-plated griddle*

MOD. FME741GCRX