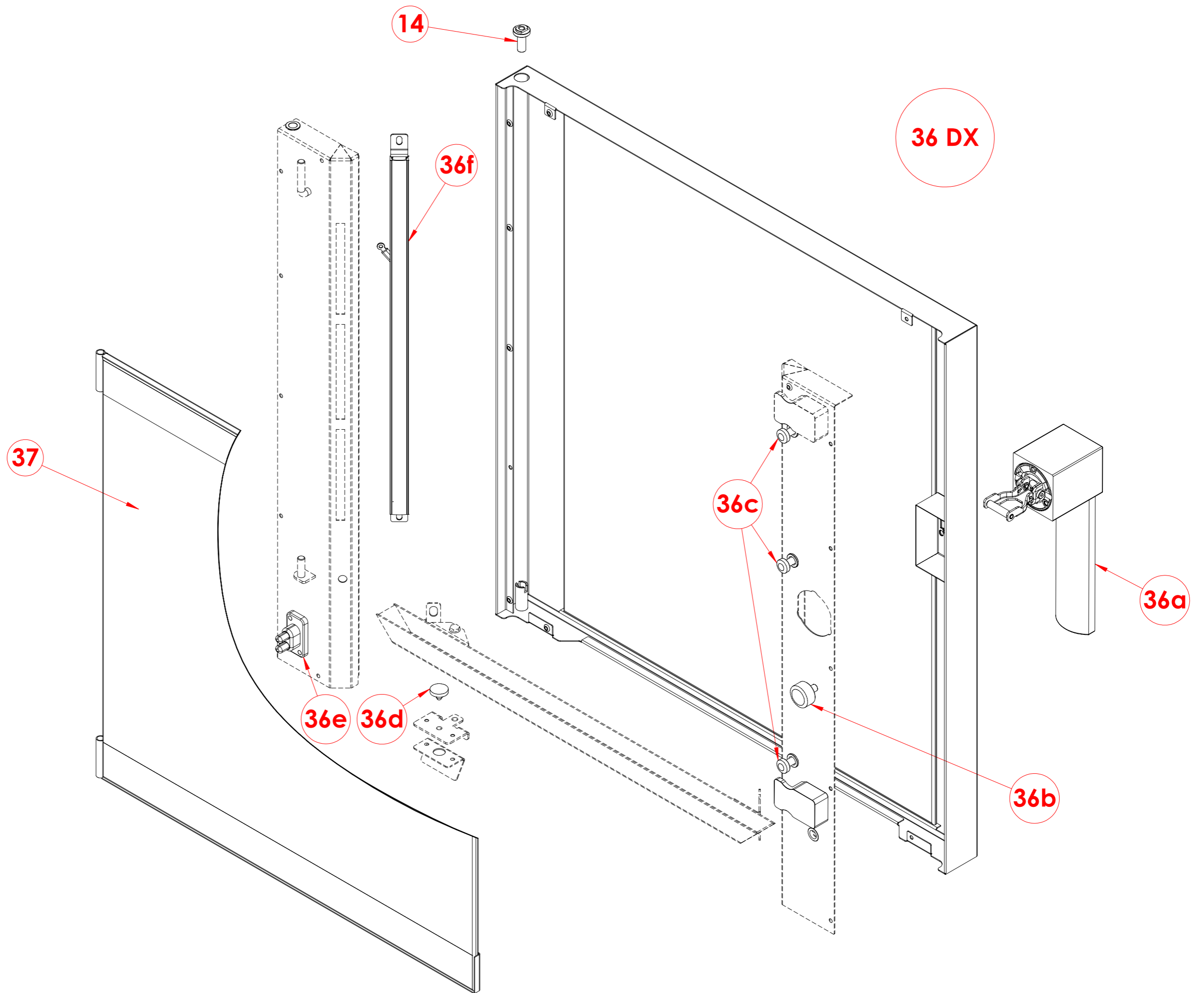


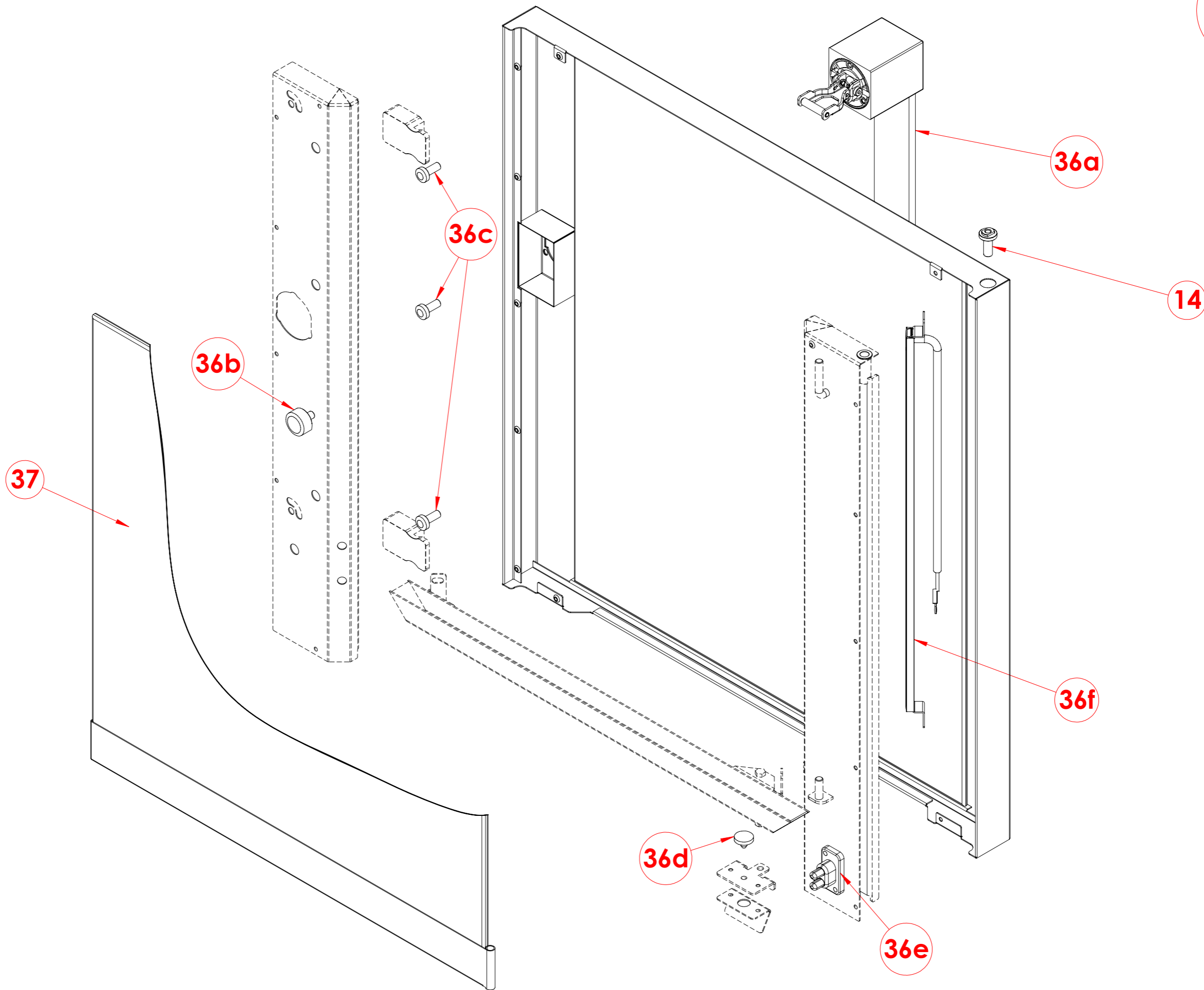
MTE
Tav.1 Rev.1

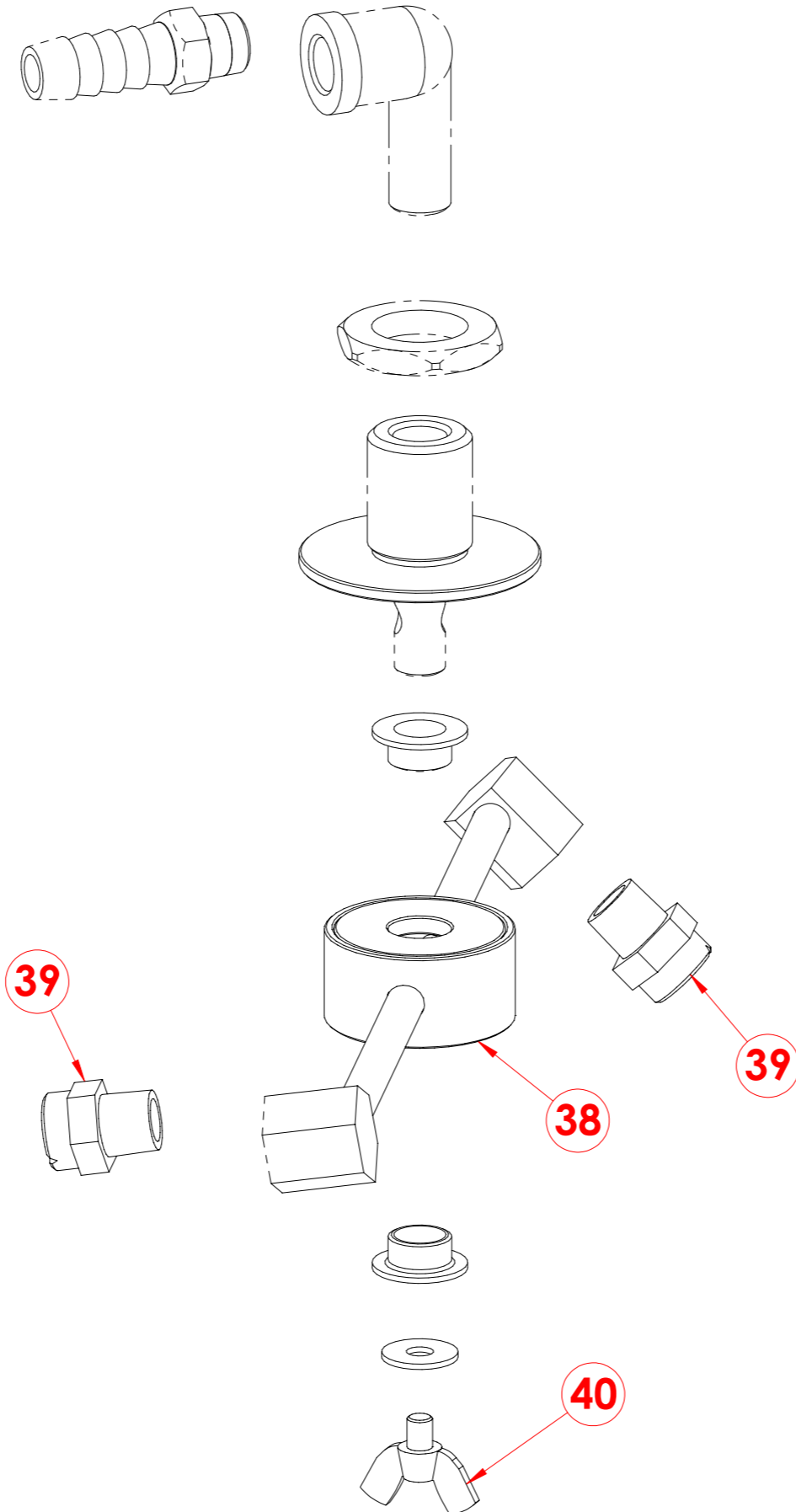
TAV.2

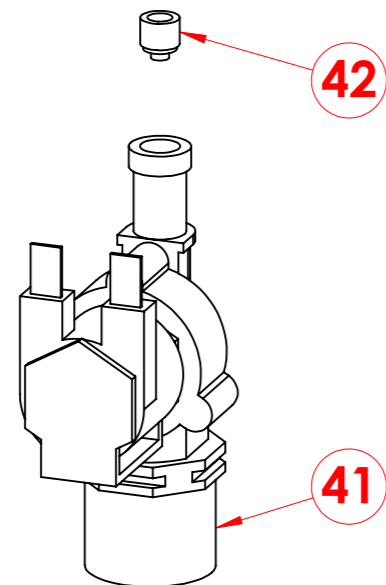
GIORIK



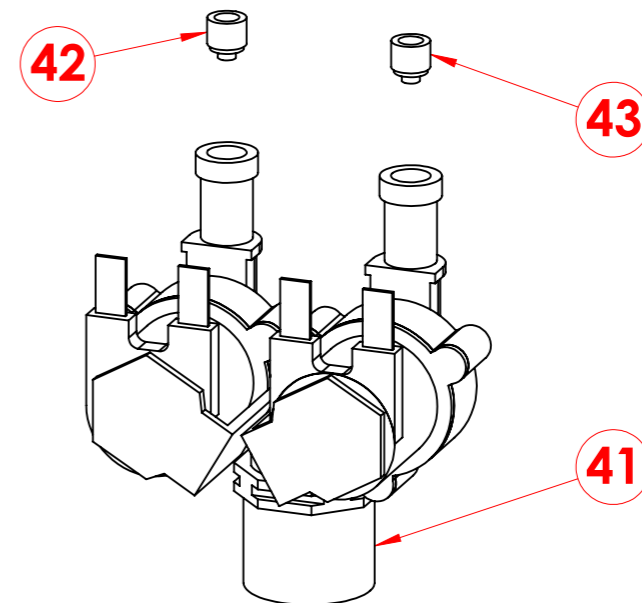
36 SX



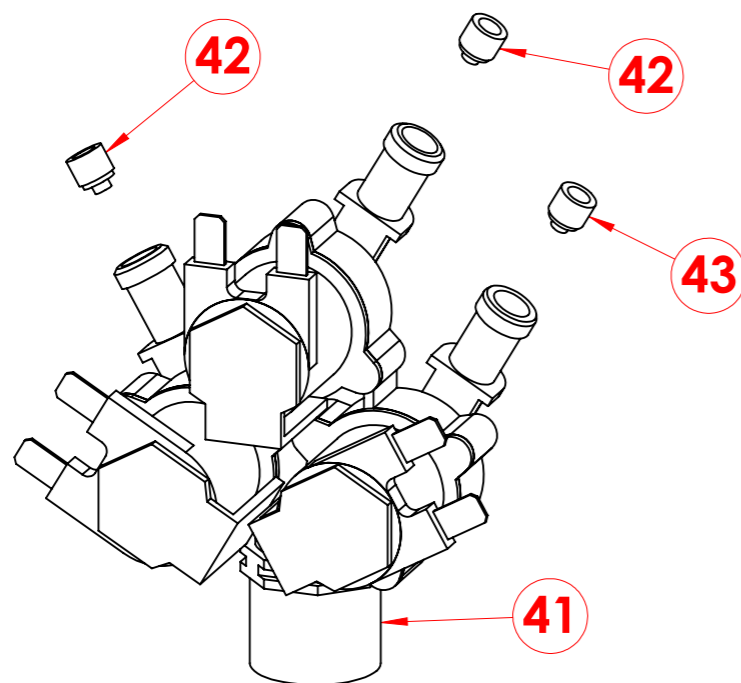




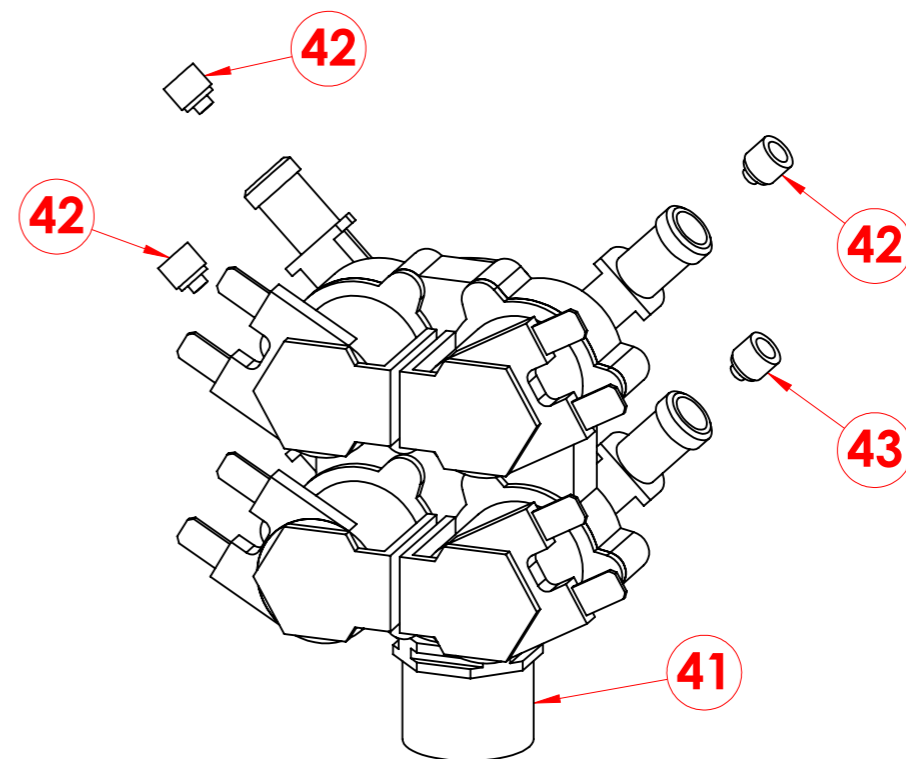
MODEL	41	42
MTE5	6042070	6042091
MTE523	6042070	6042091



MODEL	41	42	43
MTE5W	6042103	6042091	6042115
MTE523W	6042103	6042091	6042115
MTE7	6042103	6042091	6042091
MTE10	6042103	6042091	6042091



MODEL	41	42	43
MTE7W	6042080	6042091	6042115
MTE10W	6042080	6042091	6042115
MTE10X	6042080	6042091	6042091



MODEL	41	42	43
MTE10XW	6042109	6042091	6042115

POS.	GB	COD.	MOD.	VALID.	SCAD.
1	Motor	6033157	.		
2	Motor shaft seal	6090171	.		
3	Heating element 3000 W 230V	6002113	MTE523 (1pz)		
	Heating element 6000 W 230V	6002111	MTE5 (1pz)		
			MTE10 (2pz)		
			MTE7X (2pz)		
	Heating element 4500 W 230V	6002112	MTE10X (2pz)		
			MTE523X (1pz)		
Heating element 7350 W 230V	6002104	MTE7 (2pz)			
4	Humidifier pipe	2017917	MTE10X (1pz)		
		2018311	MTE5 - MTE523		
5	Oven fan 180x77	5901012	MTE7 - MTE10		
6	Injector	2018414	.		
7	Temperature probe	6000093	.		
8	Safety thermostat	6010026	.		
9	Motor for valve	6031013	.		
10	Grids rack	2021742	MTE523		
		2018487A	MTE5		
		2016126A	MTE7		
		2018488A	MTE10		
11	Bearing pin for grids rack	2026691	MTE523		
		2019624	.		
12	Black oven seal	7070100	MTE523 (1,7m)		
			MTE5 (2,15m)		
			MTE7 (2,5m)		
			MTE10 (2,9m)		
13	Fan guard grid	2017638	.		
14	spindle for door	2028087	.		
15	Keyboard ON/OFF	6010136	.		
16	Oven Keyboard	6010208	.		
17	Knob for encoder	2028014	.		
18	Encoder push	6010133	.		
19	Core probe connector	6000122	.		
20	USB 2.0	6060045	.		
21	Door light connector	2025251	.		
22	Locking dog	5900124	.		
23	Door microswitch	6043080	.		
24	Adjustable foot	5900030	.		
25	Fan	6033172	.		
26	Detergent pump	6042140	.		
27	Double check valve	6042136	.		
28	Oven main board	6010195	.		
29	Fan control board	6010197	.		
30	Buzzer	6010103	.		
31	Light transformer	6041099	.		
32	Contactore 9A	6046033	.		
33	Terminal block	6050659	MTE523		
		6050577	.		
		6050646	MTE10X		
34	Motor capacitor 6mF	6090016	.		
35	Transformer UL 230V/12+12 35VA	6041100	.		
36dx	Complete door DX with glass	2028162	MTE523_R		
36sx	Complete door SX with glass	2028258	MTE523_L		
36dx	Complete door DX with glass	2028138	MTE5_R		
36sx	Complete door SX with glass	2028237	MTE5_L		
36dx	Complete door DX with glass	2028146	MTE7_R		
36sx	Complete door SX with glass	2028244	MTE7_L		
36dx	Complete door DX with glass	2028154	MTE10_R		
36sx	Complete door SX with glass	2028251	MTE10_L		
36a	Complete Door Handle	2026379	.		
36b	Cap for door microswitch	2022746	.		
36c	Glass bumper	2021521	.		
36d	Caps for basin	2012707	.		
36e	Door light connector	2025007	.		
36f	Door light	2024939	MTE5 - MTE523		
		2027673	MTE7		
		2025342	MTE10		
37	Screen-printed glass panel for oven (assembled)	2028072	MTE523		
		2028068	MTE5		
		2028070	MTE7		
		2028071	MTE10		
38	Diffuser washing system	2023309	.		
39	Nozzle for washing system	6042127	.		
40	Washing locking screw	2027259	.		
41	Solenoid valve for water	604...	.		
42	Nozzle for humidifying pipe	6042091	.		
43	Nozzle for washing system	604...	.		
44	Core probe	6000124	.		