



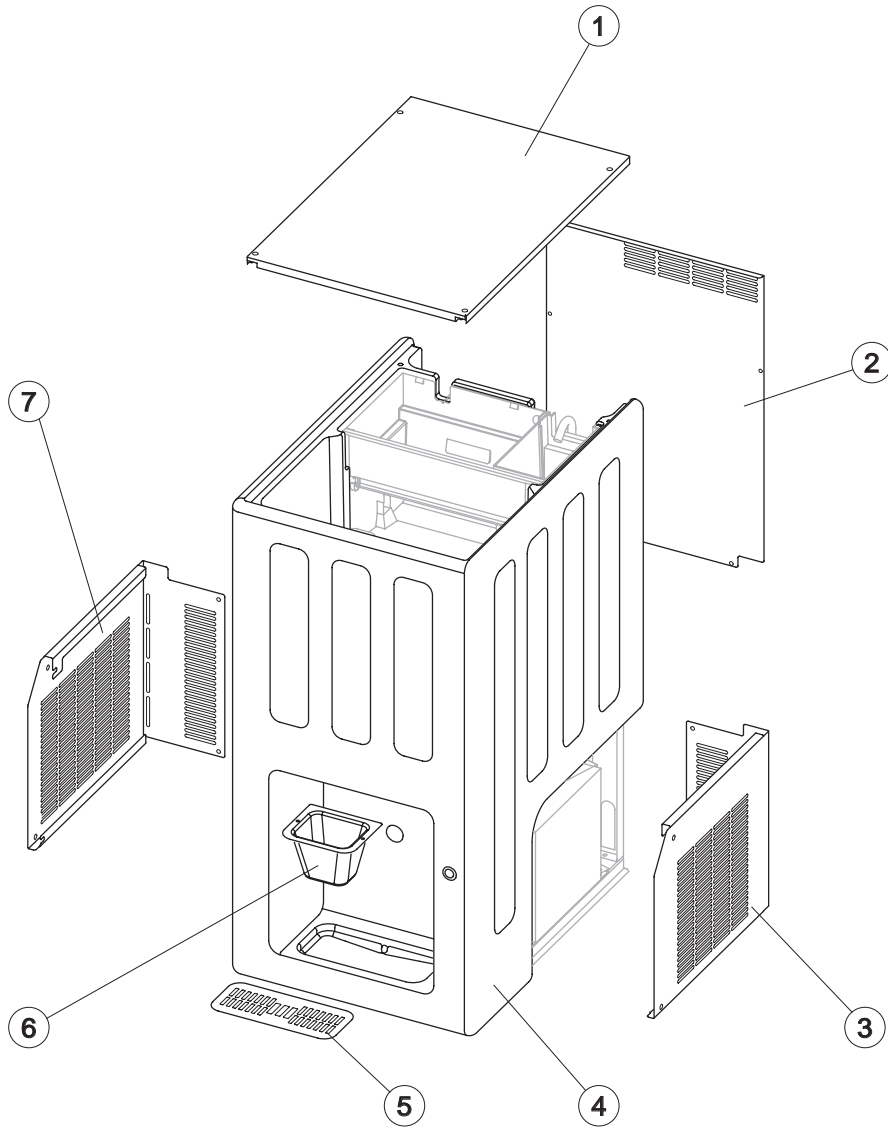
SHELL

COOLING SYSTEM

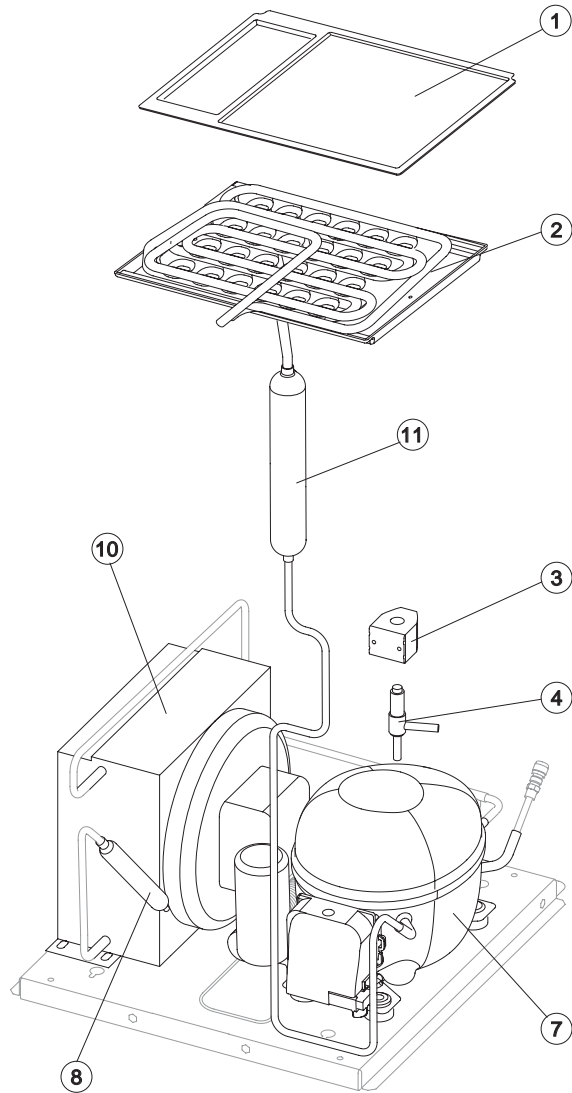
HYDRAULIC CIRCUIT

SPRAYER PUMP

ELECTRIC PARTS



Ref.	Spare Description	Code
1	Top	221333
2	Rear panel	21375
3	Right side panel	221334
4	Body	11252
5	Glass support plate	221338
6	Distributor glass	10634
7	Left side panel	221899

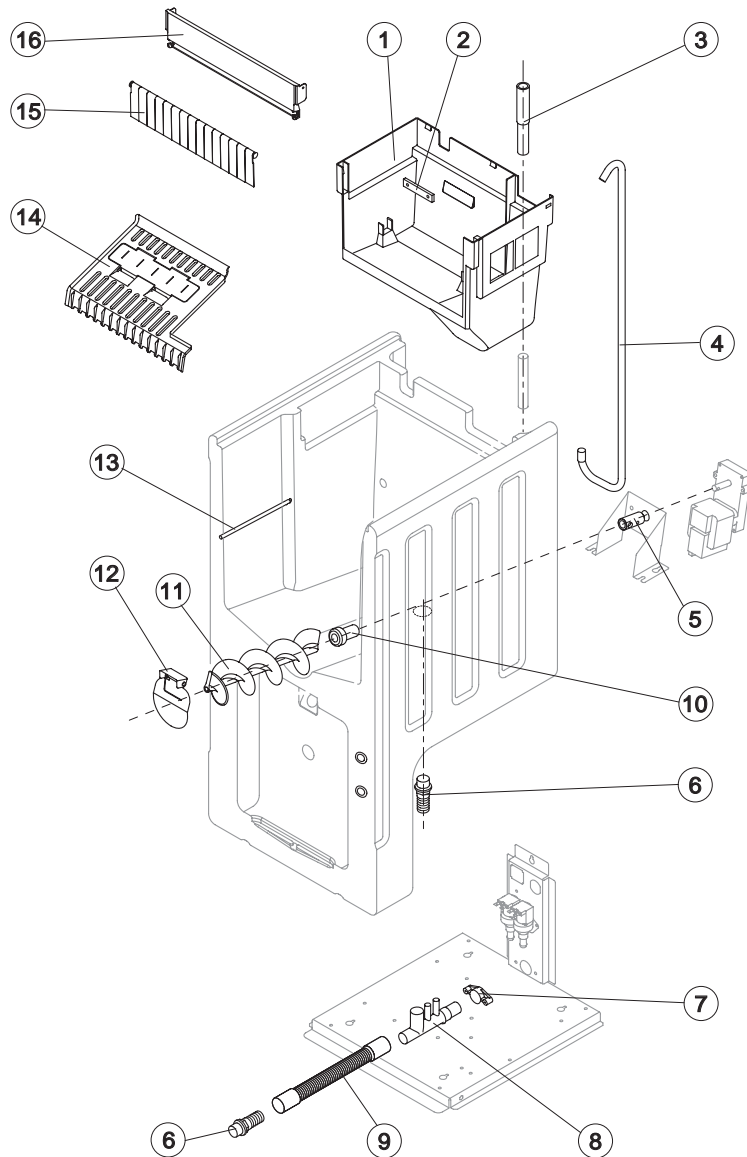


Ref.	Spare Description	Code
1	Evaporator Cover Panel	10498
2	Evaporator Assembly	D10079
3	Hot Gas valve Coil	23854
4	Hot Gas Valve Body	20853
7	Compressor	231122
8	Molecular Drier	14009
10	Air Condenser with Ventilator Assembly	23995
11	Suctin Line	for the spare parts code give us the s/n.

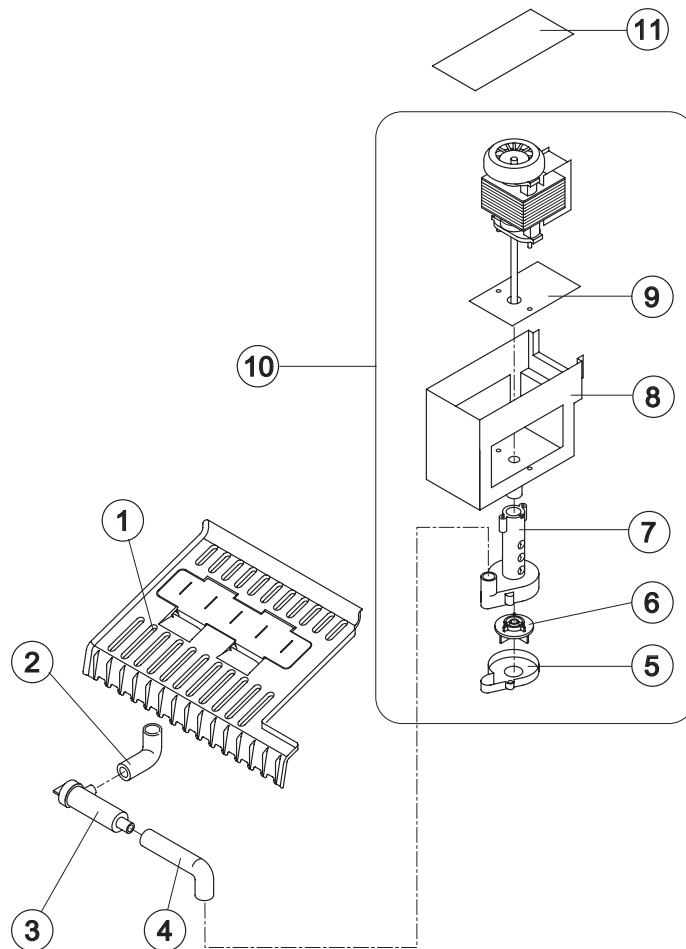


Hiku 26 HC

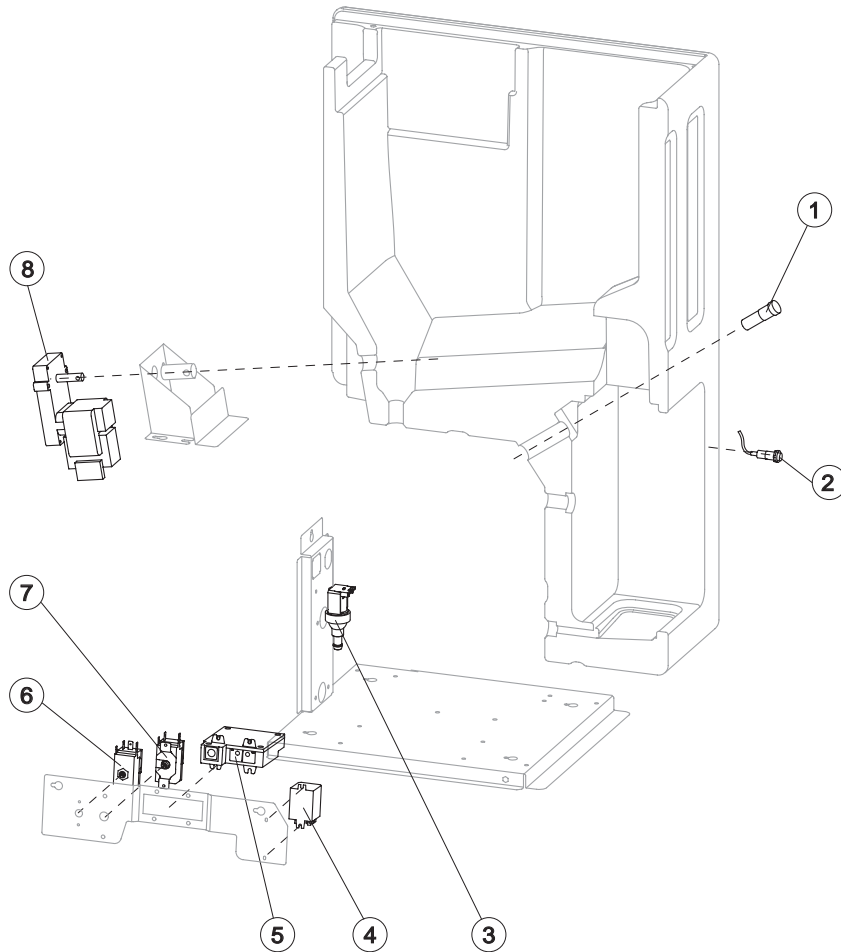
HYDRAULIC CIRCUIT



Ref.	Spare Description	Code
1	Inner basin	10064
2	Slide Keep Plate	10142
3	Overflow Pipe	13028
4	Evaporator Feeding Pipe	13005
5	Bushing for ice cube conveyor	20280
6	Connection	20556
7	Discharge Manifold Flange	10807
8	Discharges Manifold	10801
9	Discarghe Pipe	13168
10	Gasket	C13028
11	Ice Cube Conveyor	201027
12	Ice Dispensing Mechanism Assembly	C221336
13	Bulbe holder pipe	20522
14	Sprayers Bar Assembly	10885
15	Flags Rod	10532
16	Flags Support	10530



Ref.	Spare Description	Code
1	Sprayers Bar/Slide Assembly	10885
2	Sprayers Pipe Feeding	13005
3	Pump Filter	10139
4	Pump-Filter Connection Pipe	13055
5	Diffusor	10067
6	Pump Impeller	10066
7	Pump Body	10065
8	Pump Box	10073
9	Heat dissipator	22430
10	Pump Assembly	RC23858
11	Pump Cover	10647



Ref.	Spare Description	Code
1	Led	231005
2	Ice or water delivery push button	231029
3	1 Way-Water Inlet Valve	23497
4	Relay	23190
6	Evaporator Thermostat	R23591
5	Electronic Timer / On-Off (AWS)	R231154
7	Bin Thermostat	R23005
8	Gearmotor	231002