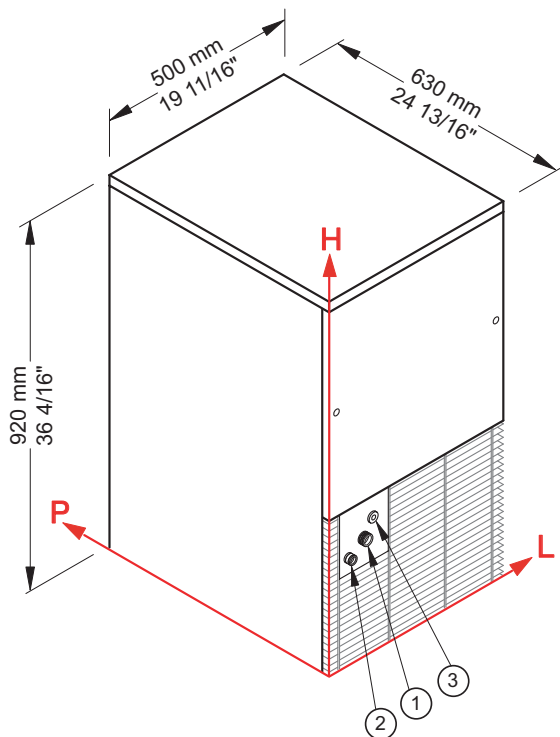




Ice Cube

DSS 42**Undercounter ice maker up to 48 kg - Sprayer system****► Working conditions**

- Location: **Indoor**

	Min	Max
Ambient temperature	+10° C / +50° F	+43° C / 110° F
Water temperature	+3° C / +37° F	+32° C / +90° F
Voltage	-10%	+10%
Water inlet pressure	1bar (14 psi)	6bar (84 psi)

► Performances

	Air temperature	Water temperature	Water temperature					
			10° C	50° F	15° C	60° F	21° C	70° F
	10° C	48 kg						
	50° F	106 lbs						
	21° C		44 kg					
	70° F			97 lbs				
	32° C				40 kg			
	90° F					88 lbs		

► Connections

All measures are referred to the rear bottom-left corner (L-H-Ø)

- ① Water in.: 111 mm / 4 6/16" - 311 mm / 12 4/16" - 3/4" ② Water out.: 49 mm / 1 15/16" - 270 mm / 10 10/16" - 24 mm / 15/16"
 ③ Electrical connections: 156 mm / 6 2/16" - 347 mm / 13 11/16"

► Technical information

Production in 24h	44 kg / 97 lbs	Water consumption	A: 4 l/kg - 47,9 gal/100 lbs
Store capacity, up to	12 kg / 26 lbs		W: 15 l/kg - 179,7 gal/100 lbs
Cooling system	A - W	Sizes (L-P-H mm)	500 - 630 - 920
Kind of cube	D-13g	(L-P-H in)	19 11/16 - 24 13/16 - 36 4/16
Refrigerant	R404A	Sizes with pack (L-P-H mm)	540 - 770 - 1090
Standard voltage	220-240 V ~ 50 Hz	(L-P-H in)	21 4/16 - 30 5/16 - 42 15/16
Electrical consumption	450 W	Net weight	66 kg / 146 lbs
Fuse	10 A	Gross weight	74 kg / 163 lbs
Delivered ice	3 kg/min	Finish	AISI 304 stainless steel, scotch brite

All the technical information must be considered at the following conditions:

Sizes without feet
 Standard Cube (13 g)
 Ambient temperature +21° C
 Water temperature +15° C
 Electrical consumption at +43° C (standard voltage)

Models and specifications are subject to change without notice

Rev. 01 - Issued January 2016

**BREMA ICE MAKERS SPA**Via dell'Industria 10,
20020 Villa Cortese (MI), Italytel. +39 0331 434811
fax +39 0331 433833www.bremaice.it
info@bremaice.itBim + Data
download

We are Brema

