

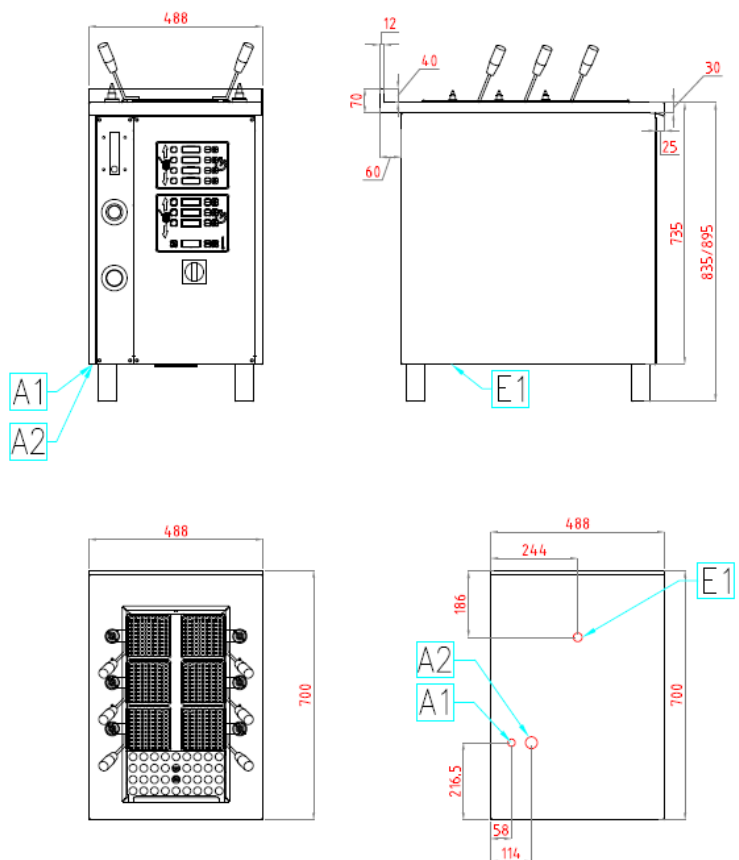


ITALGI S.r.l.

MACCHINE E IMPIANTI PER PASTA FRESCA E SECCA
 MACHINES AND PLANTS FOR FRESH AND DRY PASTA
 MÁQUINAS Y PLANTAS PARA PASTAS FRESCAS Y SECAS

ELECTRIC COOKER CP700X2

- AISI316 stainless steel basin
- Resistances in incoloy (4200W)
- Setting and adjustment for cooking temperature
- Baskets made of AISI304 stainless steel
- Automatic temporised lifts of the baskets
- Setting of the cooking times
- Safety sensor for minimum level of water
- Safety thermostat



TECHNICAL DETAILS		
Lifts	n	6
Basin capacity	l	15
Baskets dimensions (WxDxH)	cm	11,5x11,5x17,5
Width	cm	49
Depth	cm	70
Height	cm	85
Weight	kg	100
Electric consumption	kW	6,6