

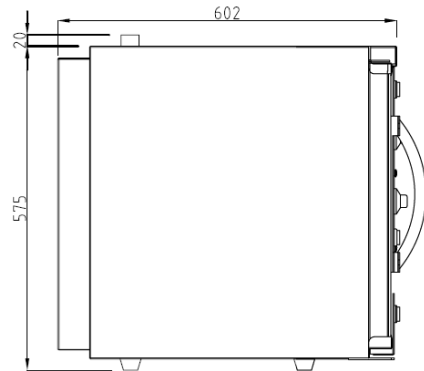
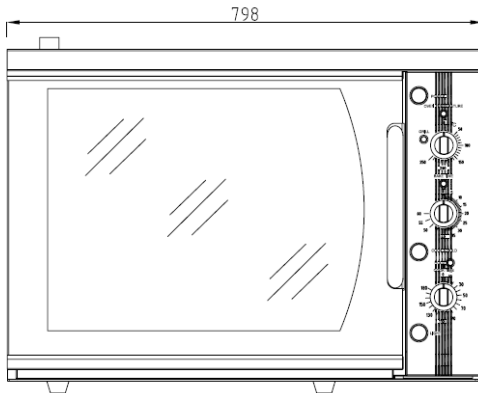


Model: YSD-6A

□ YSD-6A Electric convection oven

## STANDARD FEATURES

- Stainless steel housing
- Ceramic coated cavity for easy cleaning
- GN1/1 size, 4 trays capacity
- Cook & Holding function
- 60-minute bake timer reminder
- 180-minute cooking timer
- Top and bottom heating element
- Fan is stopped once door is open
- Water proof on off switch
- Grilling function
- Optional stand with caster



Model	Description	Power	Voltage	Dimension(CM)	N/W	G/W
YSD-6A	Electric convection oven	2.8kw	230V	796×670×580	44	52