

Electric convection oven

STANDARD FEATURES

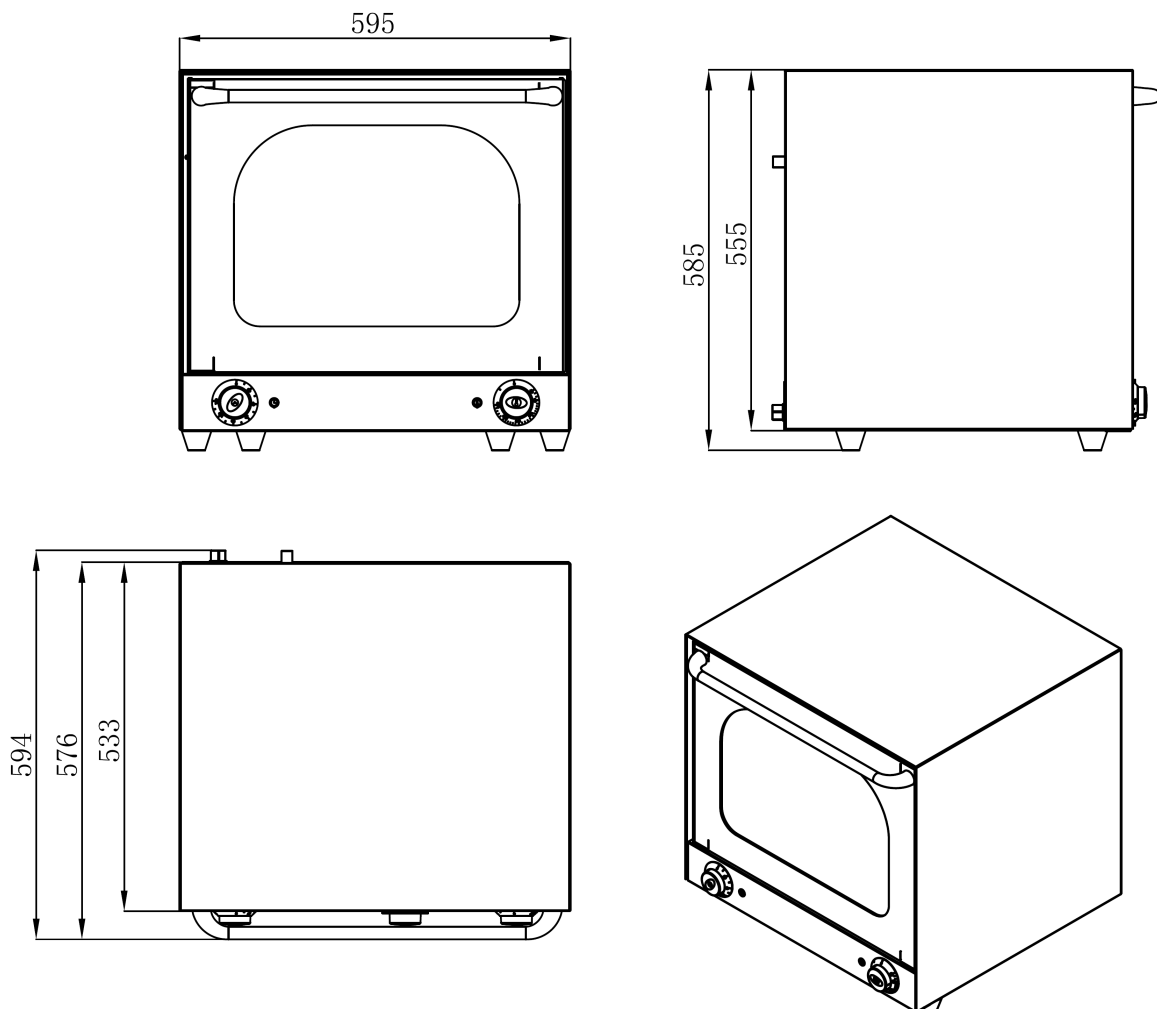


Model: YSD-1AE



- 62L capacity cavity 460×375×360 mm
- Stainless steel structure
- 360 °C hi-limit ensures safety operation
- Thermostat 50–300 °C
- Ceramic coating cavity for easy cleaning
- 120 minutes timer with bell
- Steel handle fixed by Bakelite base
- Dual round heaters plus two high speed motors
- Stainless steel baffle to generate heat more evenly
- Chamber light for better view of cooking process
- Four aluminum baking trays 325×450mm
- Door latch opens at 90° for easy access to the cavity
- Level distance is 75mm
- Double toughened visual glass for better view and cool to touch

INSTALLATION DRAWING



Model	Description	Total kW/HR	Packing Size(mm)	NW (KG)	GW (KG)
YSD-1AE	Electric convection oven, ceramic chamber coating without steam function	2.67kW/230V	660x640x640	38	40