

ELECTRIC BRATT-PAN

ELECTRIC TILTING WITH MIXING

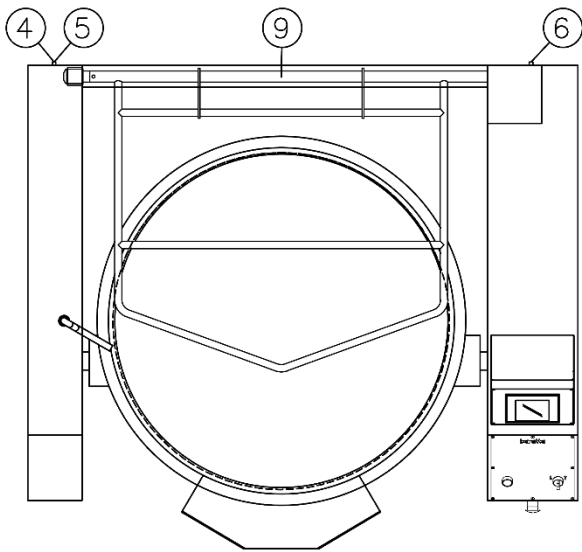
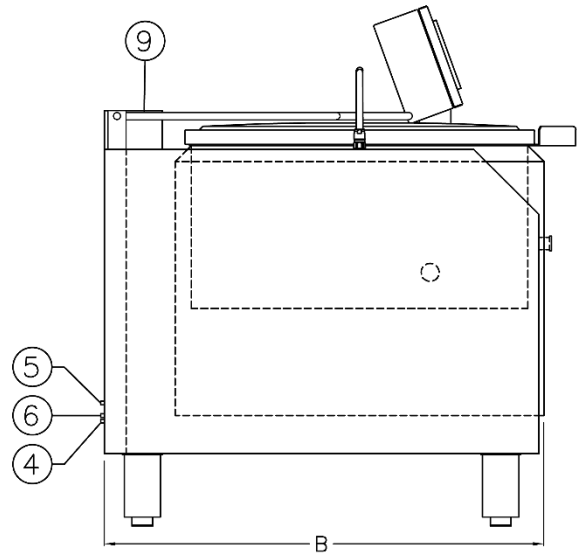
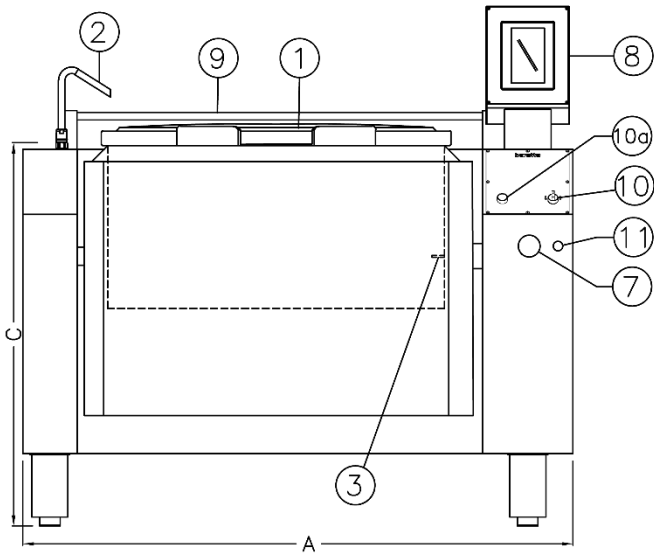
BEMT-450

BEMT-450 S



- **HEAVY DUTY CONSTRUCTION**
- DIRECT ELECTRIC HEATING
- **PROTECTION DEGREE IP44**
- **ELECTRONIC PHASES CONTROL**
- **ELECTRIC LID TILTING WITH TWO-HANDED SAFETY CONTROL**
- **ELECTRONIC CONTROL WITH TOUCH SCREEN PANEL WITH TANK AND CORE TEMPERATURE PROBE**
- AISI 304 STAINLESS STEEL TANK
- **THE FULLY AISI 316 STAINLESS STEEL TANK WITH LARGE THICK BOTTOM ALLOWS TO COOK EVEN ACID PRODUCTS. VERY HIGH THERMAL EFFICIENCY.**
- ELECTRONIC CONTROL AND SAFETY CONTROL 50 °C- 300 °C , PLACED UNDER THE TANK
- ELECTRONIC CONTROL AND SAFETY CONTROL 50 °C- 200 WITH CORE TEMPERATURE PROBE
- ADJUSTABLE SPEED AND AUTOMATIC REVERSE
- **HUNDREDS OF COOKING COMBINATION PROGRAMS, UP TO 100 SAVED RECIPES**
- THE MIXING COOKING AVOIDS THE FOOD STICKING ON THE BOTTOM
- AUTOMATIC WORKING
- ELECTRIC TILTING BY MOTOR REDUCER
- EXTREMELY EASY USE AND MAINTENANCE
- BEMT SERIES HAS CAPACITY FROM 70 TO 450 LTS
- FOR MORE INFORMATION AND CAPACITY SEE OVERLEAF
- FOR DIFFERENT CAPACITIES AND SPECIAL VERSIONS PLEASE CONTACT THE COMPANY

MAIN APPLICATIONS: STEWS, GOULASH, SAUSAGES, RISOTTO, CAMEL, VEGETABLES, JAMS, PASTA-STUFFINGS, POLENTA



- | | | |
|-----------------------------|-----------------------|----------------------------|
| 1 LID | 6 CORD CONNECTOR | 10A BUTTON FOR LID OPENING |
| 2 WATER MIX TAP | 7 EMERGENCY STOP | 11 SWITCHING ON APPLIANCE |
| 3 HEART PROBE | 8 TOUCH SCREEN | |
| 4 HOT WATER CONNECTION ½" M | 9 OPENING LID SYSTEM | - PROTECTION DEGREE IP54 |
| 5 COLD WATER CONNECTON ½" M | 10 OPENING LID SYSTEM | |

ACCESSORI A RICHIESTA CON EXTRACOSTO: VEDERE LISTINO
 OPTIONS WITH EXTRA COST: SEE PRICE LIST

MODEL	CODE	DIMENSIONS	TANK TYPE	TANK CAPACITY	RATED VOLTAGE*	TOTAL POWER
		AxBxC (mm)		Lt	Volt	kW
BEMT 450	454100460	2010x1586x1150	AISI 316 STAINLESS STEEL	450	400/3+N/50	43,0
BEMT 450 S	454100462	2010x1586x1150	AISI 316 STAINLESS STEEL	450		52,0